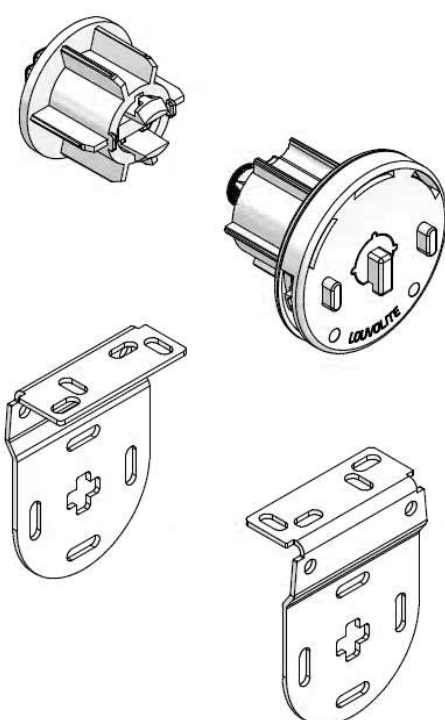
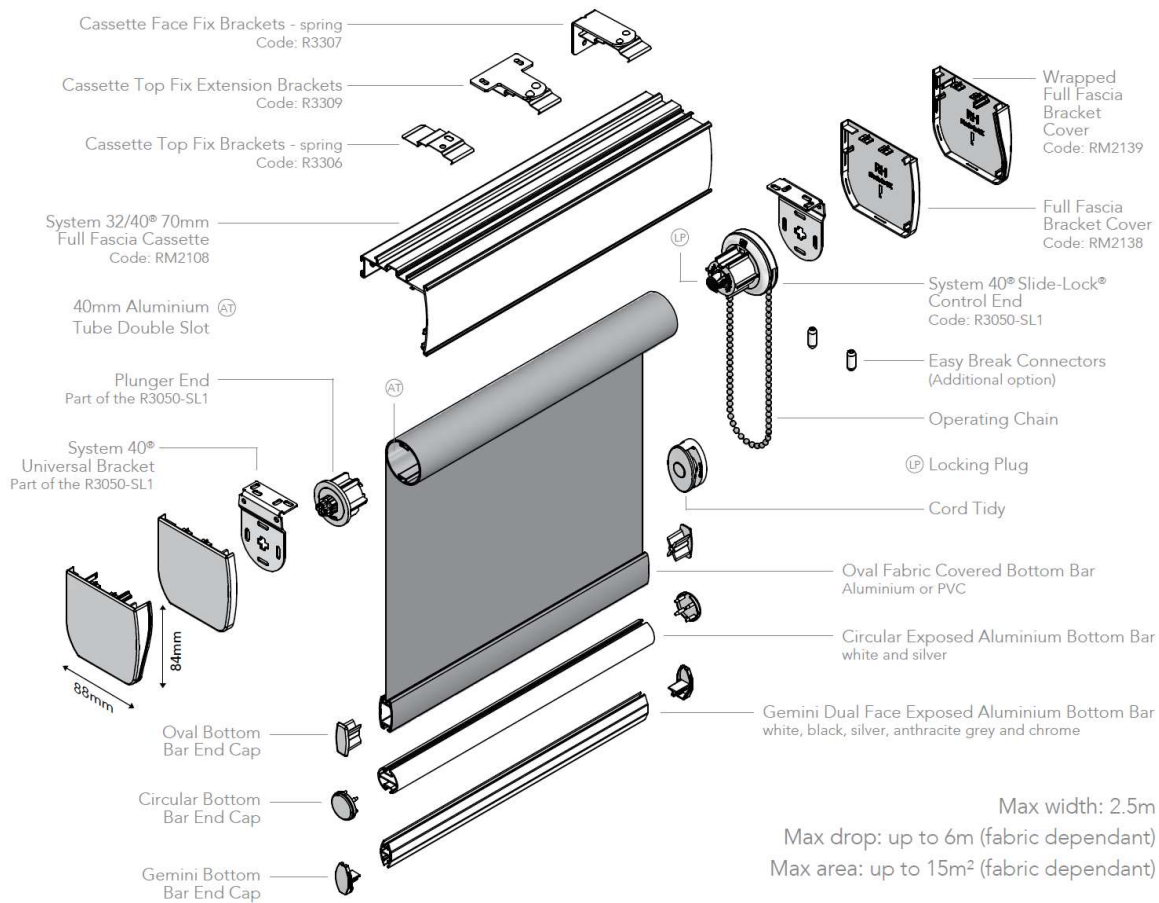


ROLLER BLIND FULL FASCIA CASSETTE

70mm FULL FASCIA CASSETTE available in White, Black & Anthracite Grey



- Designed and manufactured in the UK, all systems are 10 year life cycle tested to ensure long lasting performance.
- For blinds up to 2.5m wide, with a 9lb maximum holding weight.
- Manufactured using high quality engineering grade polymer. The side control units are made from glass filled Nylon 6, with an acetal sprocket and sprocket guard, and includes a locking spring.
- Colours available: Slide-lock set: white, beige, black and anthracite grey; 70mm fascia and bracket covers: white, black and anthracite grey.
- This cassette is only suitable for Side Winder or Battery-operated Blinds.
- Universal brackets and a spring idle end plunger enable easy and quick installation.
- The No.10 size metal nickel operating chain ensures reliable performance, and improved chain location enables quick and easy onsite adjustment. The mild steel brackets are zinc plated and powder coated.
- Where children may be present, all blinds must be compliant with the child safety elements of BS EN13120, and the chain must be fitted with a cord tidy.