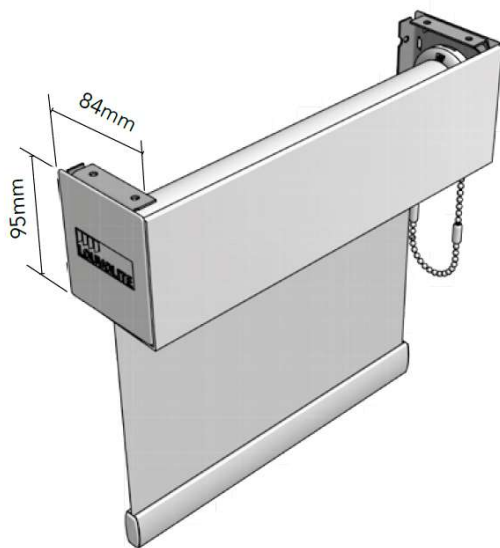


ROLLER BLIND SQUARE FASCIA SYSTEMS

3" (95mm) & 4" (110mm) SQUARE only available in WHITE

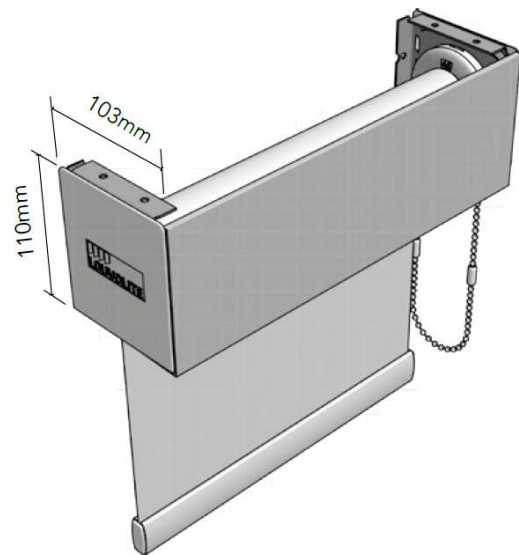
3" (95mm) SQUARE FASCIA

3" Fascias can only be used with the 40mm Roller Blind system



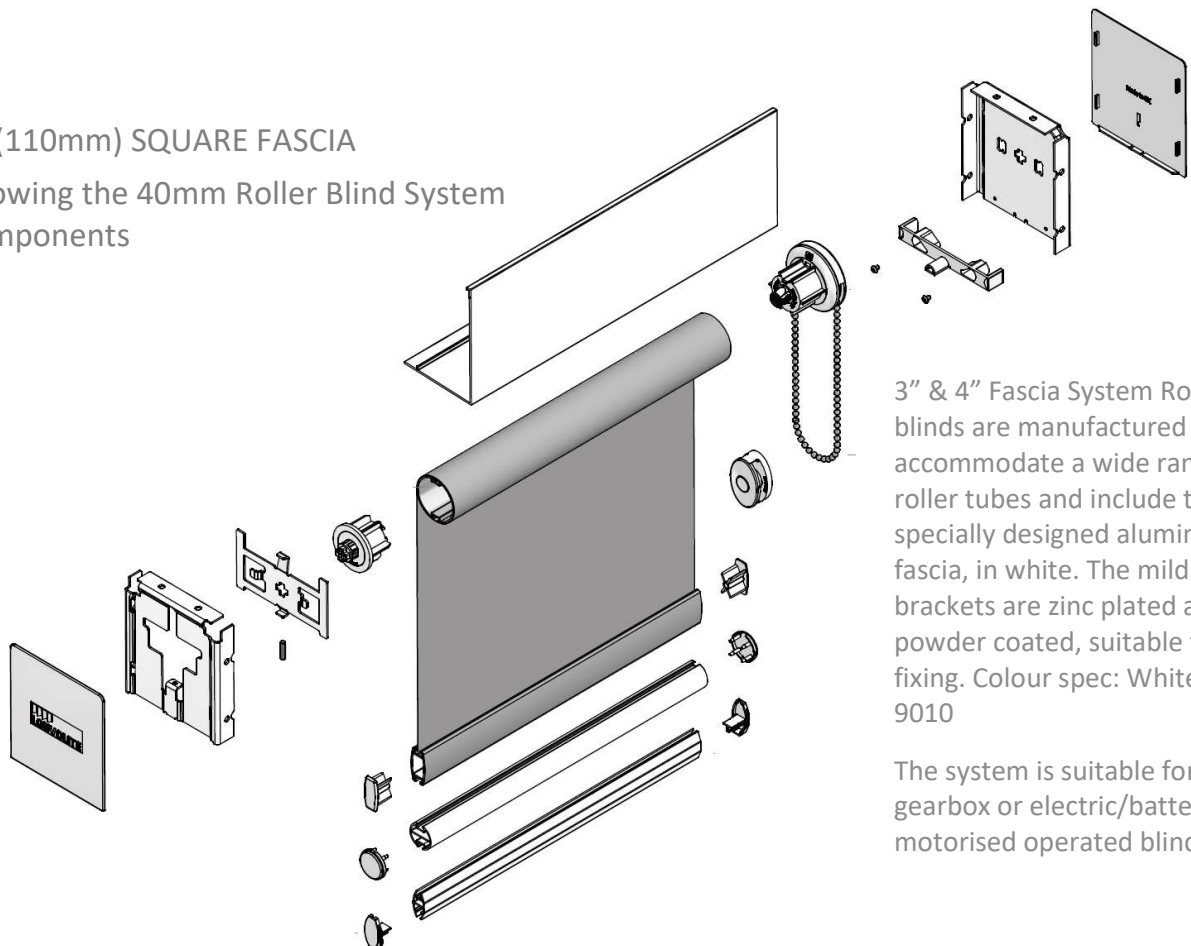
4" (110mm) SQUARE FASCIA

4" Fascias can be used with the 40mm, 45mm, 61mm and 70mm Roller Blind systems



4" (110mm) SQUARE FASCIA

Showing the 40mm Roller Blind System components



3" & 4" Fascia System Roller blinds are manufactured to accommodate a wide range of roller tubes and include the specially designed aluminium fascia, in white. The mild steel brackets are zinc plated and powder coated, suitable for top fixing. Colour spec: White RAL 9010

The system is suitable for chain, gearbox or electric/battery motorised operated blinds.